



BURNERS
BRULEURS
BRENNER
QUEMADORES
BRUCIATORI

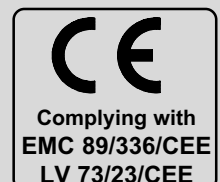
MANUAL FOR - INSTALLATION - OPERATION - MAINTENANCE

HEAVY OIL BURNER

N18

M03929CE Rev. 04 10/99

	PREFACE	P. 2
PART I:	INSTALLATION	P. 4
PART II:	OPERATION	P. 11
PART III:	MAINTENANCE	P. 16
	APPENDIX	P. 18



PERFORMANCE CURVE

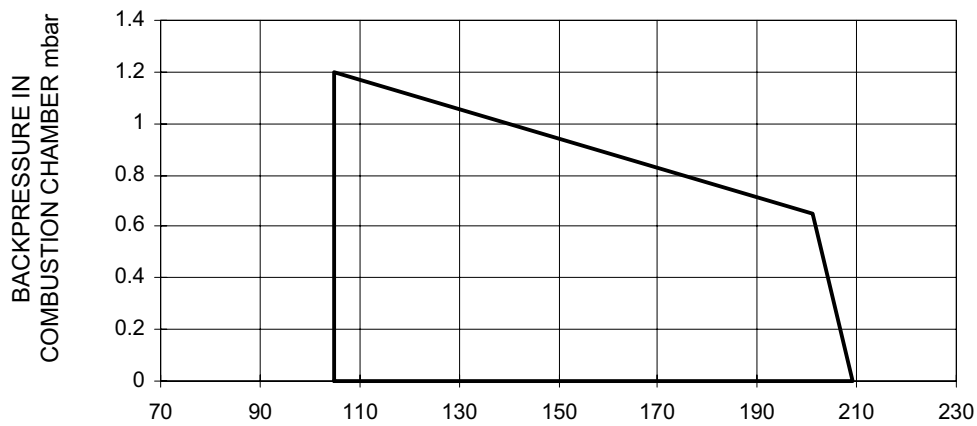


Fig. 2

MOUNTINGS AND CONNECTIONS

The burners are despatched in cardboard packages.

The packaging contains the following items:

- 1 burner;
- 2 flexible pipes;
- 1 oil filter;
- 1 gasket to be inserted between the burner and the boiler;
- 1 this manual, the Guarantee Certificate and the test certificate.

To get rid of the burner's packing and in the event of scrapping of the latter, follow the procedures laid down by current laws on disposal of materials.

ELECTRICAL CONNECTIONS DIAGRAM

- Remove the burner housing.
- Carry out electrical connections to the multiple connector, supplied with the burner, according to the diagram shown in fig. 4.
- Refit the burner housing.

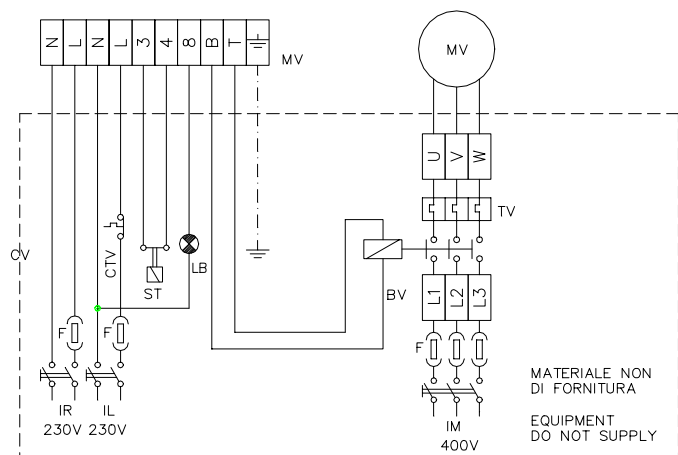


Fig. 3